

## How to measure for curtains

Curtains provide cozy decoration for windows, but they also serve in a lot of practical ways. Curtains block and filter light, provide privacy and help insulate your windows in a way blinds or shades can't.

Correct measurements will ensure you purchase correct curtain size and here we want to make sure that your investment works for you in a best way possible.

You will need:

Use a metal tape measure for accuracy. Measurements should be in inches to the nearest  $\frac{1}{4}$ ". Double check your measurements.

Some considerations:

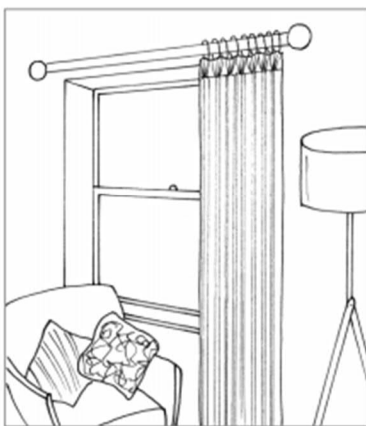
Whether you have an existing rod or considering buying a new pole a track (inquire us about large selection we carry), these tips will make sure you measure for the best-looking curtains.

- Typically, curtain rods should be hung above your window frame or opening and extend beyond the side molding or opening. Hanging curtains higher and extending the width prevents light from coming in when the curtain is closed.
- Here is another reason for curtains to extend beyond the sides of your window opening: when your curtains are open, the panels will stack back to each side, clearing the window. This is particularly helpful when hanging curtains over a sliding glass door.
- The length is totally up to you. Ceiling to floor is a common designer trick to create visual drama and enhance the visual appearance of your windows.

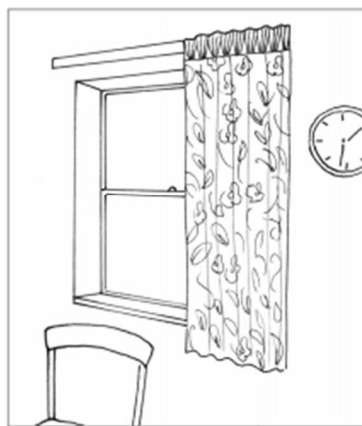
1

### Choose your curtain type

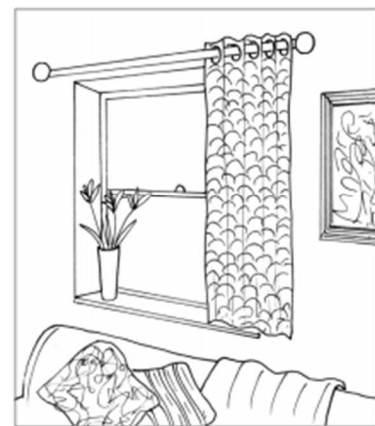
Your track or pole must be in place for accurate measurements.



A - Pleated heading on a pole



B - Pleated heading on a track



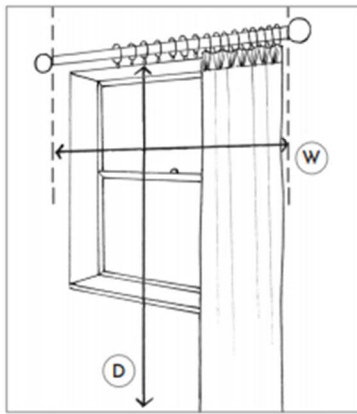
C - Eyelet heading on a pole

## 2 Choose your curtain length

Before you measure, follow our suggestions for the perfect length curtains:

Curtain Length	Sill Length	Below Sill	Floor Length
Measure	to sill - 1/2"	to sill + 2"	to floor + 0.5"

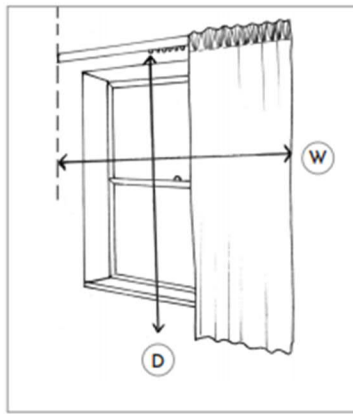
## 3 Get measuring!



A - Pleated heading on a pole

- Ⓜ Width of the pole between finials
- ⓓ Drop from the pole eyelets to your finished length

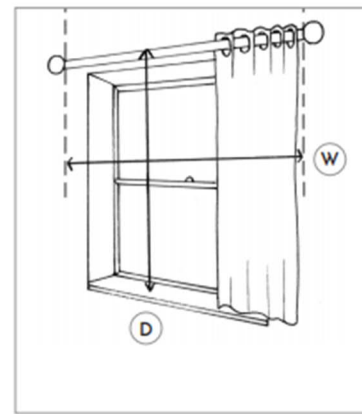
We will add 9cm of fabric above your



B - Pleated heading on a track

- Ⓜ Width of the entire track
- ⓓ Drop from the track eyelets to your finished length

We will add 3cm of fabric above your



C - Eyelet heading on a pole

- Ⓜ Width of the pole between finials
- ⓓ Drop from the top of the pole to your finished length